

WH 3700

Alluminium alloy structure

Ratio 38:1 – Worm drive reduction unit. (Reverse motion is possible only when the operator acts on the relevant controls, therefore no brake is required).

Manual clutch for drum engagement – disengagement

Direct line pull force (as measured by spring scale gauge): 3700 kg at the 1st rope layer

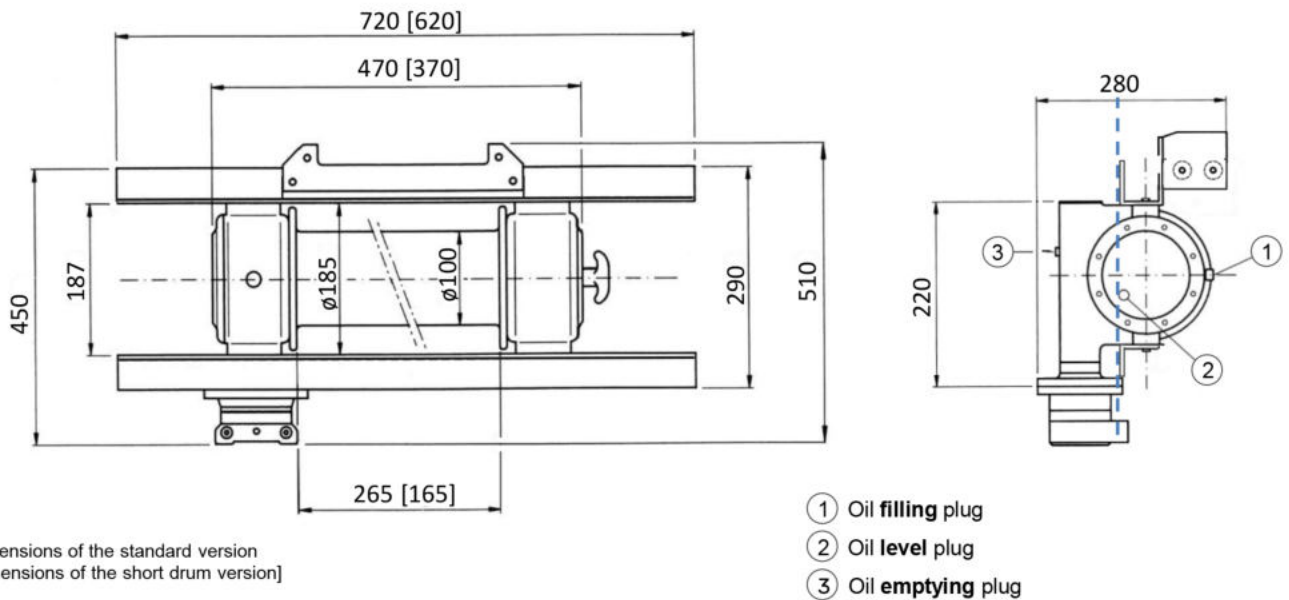
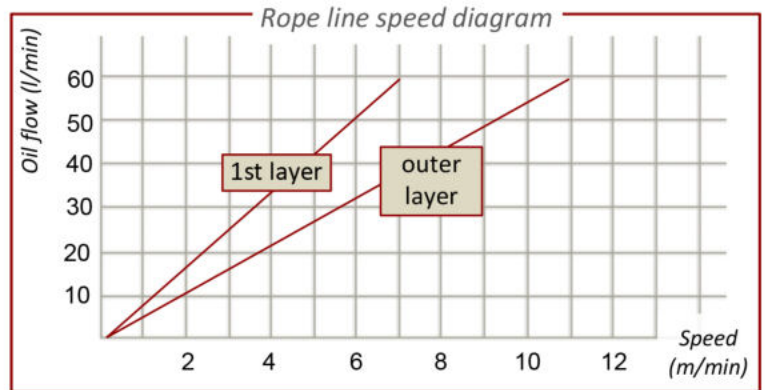
Towing capacity: 11100 kg at the 1st rope layer

Recommended rope length: \varnothing 10mm max 25m+40m (depending on the drum version)

Zinc-plated steel fairlead rollers

Total weight w/out rope: 38 kg

Max P (relief valve adj.): 140 bar
Suggested flow to motor: 60 l/min



Dimensions of the standard version
[dimensions of the short drum version]

- ① Oil filling plug
- ② Oil level plug
- ③ Oil emptying plug

ROPE LAYER	TOWING CAPACITY	DIRECT LINE PULL	ROPE LENGTH
1°	11100 kg	3700 kg	8,73m [5,44m]
2°	9576 kg	3192 kg	19,13m [11,91m]
3°	8253 kg	2751 kg	31,19m [19,42m]
4°	7254 kg	2418 kg	44,91m [27,96m]
Max capacity of spooled rope: 40m \varnothing 10mm [25m]			

* = Pulling capacity (estimated weight of the vehicle to be towed on a flat surface, free wheels)
uses to be about 3 times as the direct line pull as measured by spring scale.